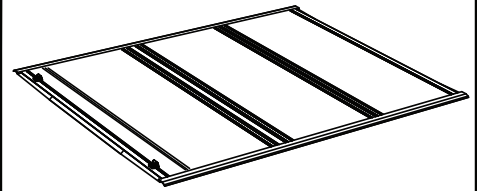




Premium Folding Cover



Fits: TFX4703 - Nissan Frontier 5' with OR without Utili-Track - 2022

THE TRAILFX TONNEAU COMES FULLY ASSEMBLED.

REMOVE CONTENTS FROM BOX. VERIFY ALL PARTS ARE PRESENT.

READ INSTRUCTIONS CAREFULLY BEFORE STARTING INSTALLATION.

DO NOT OVER TORQUE. A TORQUE WRENCH IS NOT NECESSARY. IF PREFERRED, TORQUE IS APX 120 INCH LBS.



30-60 min



Cutting Not Required



Drilling Not Required

support@trailfx.com

1 866 638 4870

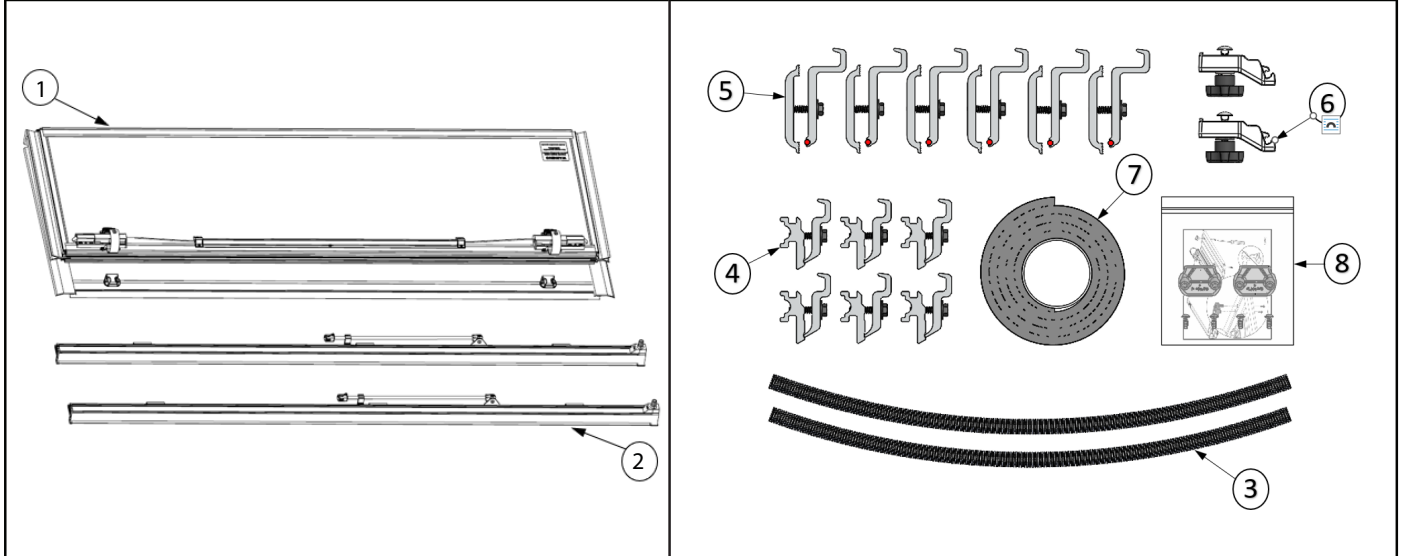
LIMITED LIFETIME WARRANTY

KS-I4

PARTS LIST OF COMPONENTS

PN	Part Description / Qty	PN	Part Description / Qty
1	Hard Folding Cover (1)	8	Front Female Buckle Kit (1)
2	Left and Right Mounting Rails (1)		
3	Drain Tubes (2)		
4	Utili-Track Clamp Kit (6)- For use W/ Utili-Track Installation		
5	Standard Clamp Kit (6)- For use W/O Utili-Track Installation		
6	Cover Retainer Clamps (2)		
7	Bulkhead Seal (1)		

Components

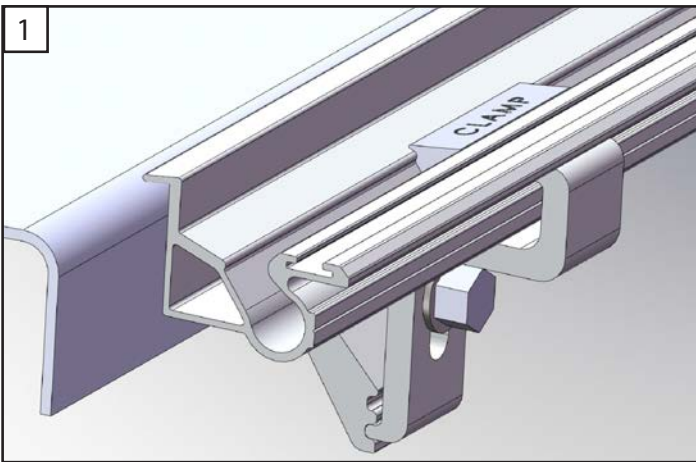


Tools Required

Ratchet & 1/2" Socket

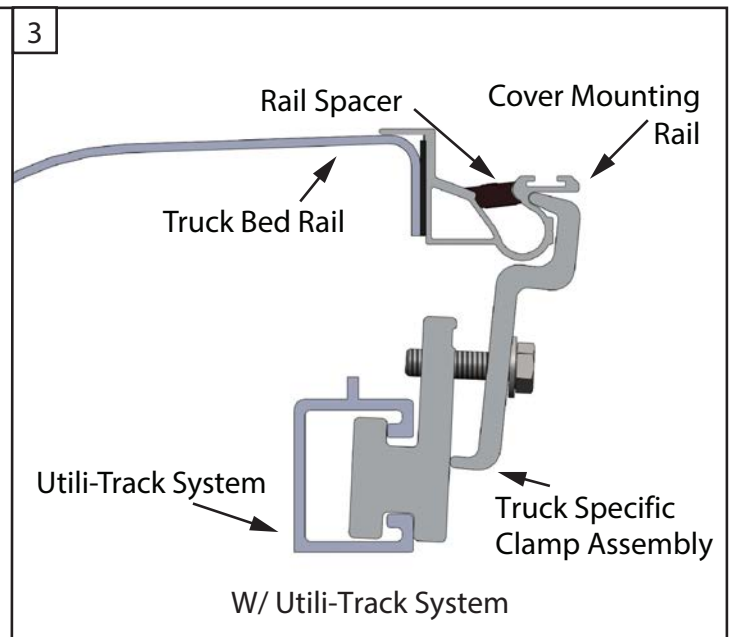
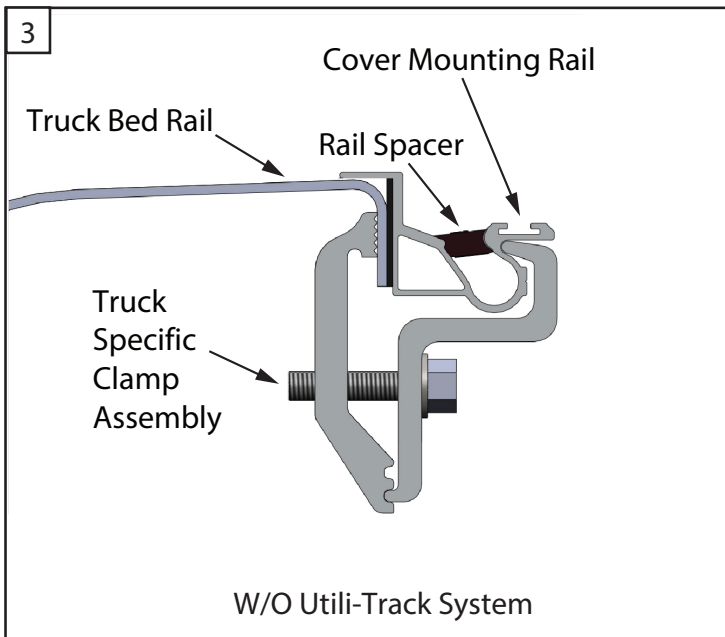


INSTALLATION PROCEDURE



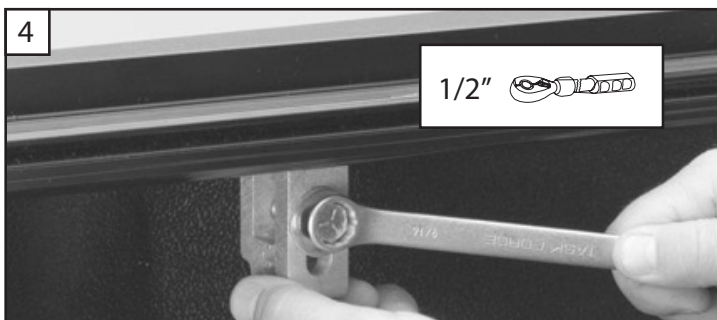
1. Slide the clamp assembly (3 per side) into the Utili-Track system, position one front, one center and one rear.

2. Attach both left and right side rails to the truck bed. The end of the mounting rail with the drain tube fitting will go towards the cab of the truck, position flush to bulkhead.



3. Using three (3) clamps per side attach the rail to the bed, position the clamps adjacent to each of the black rail spacers. (Tip: Mount the center clamp first but do not tighten completely. This will give you the ability to adjust the rail as the outer clamps are attached)

4. Tighten the clamps using a 1/2" socket. Install the bulkhead seal to the top of the front rail of the truck bed and cut to length.

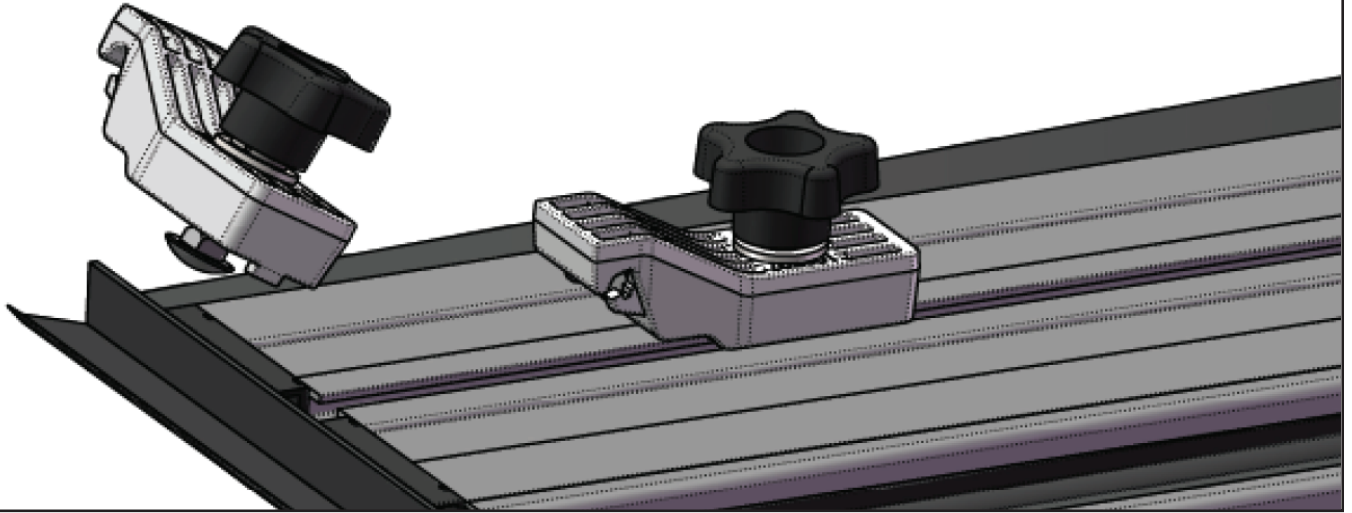


Warning! Do not overtighten the clamp assembly. A torque wrench is not necessary. If preferred, torque is apx 120 inch lbs.



Warning! Clamps must be checked periodically for tightness. Failure to do so could result in damage to you or your property.

5 & 6

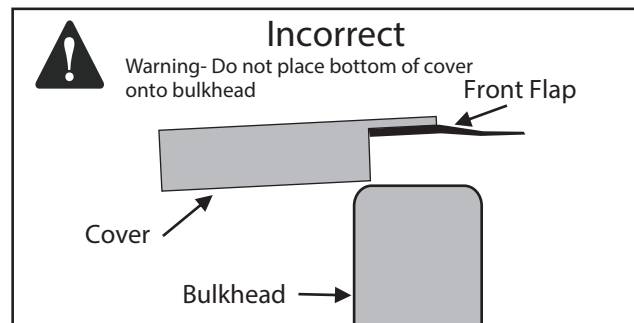
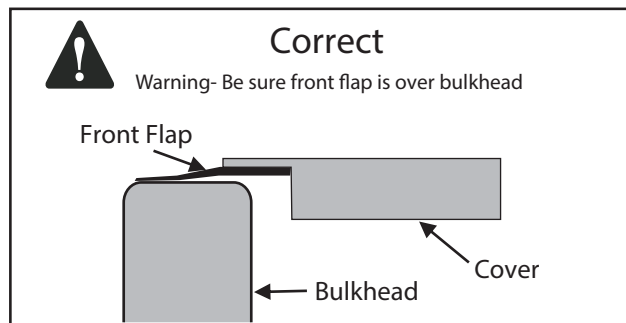


5 & 6. Slide the two front pre-staked cover retainer assemblies into the track on the underside of the tonneau cover, do not remove bolt from assembly.

7

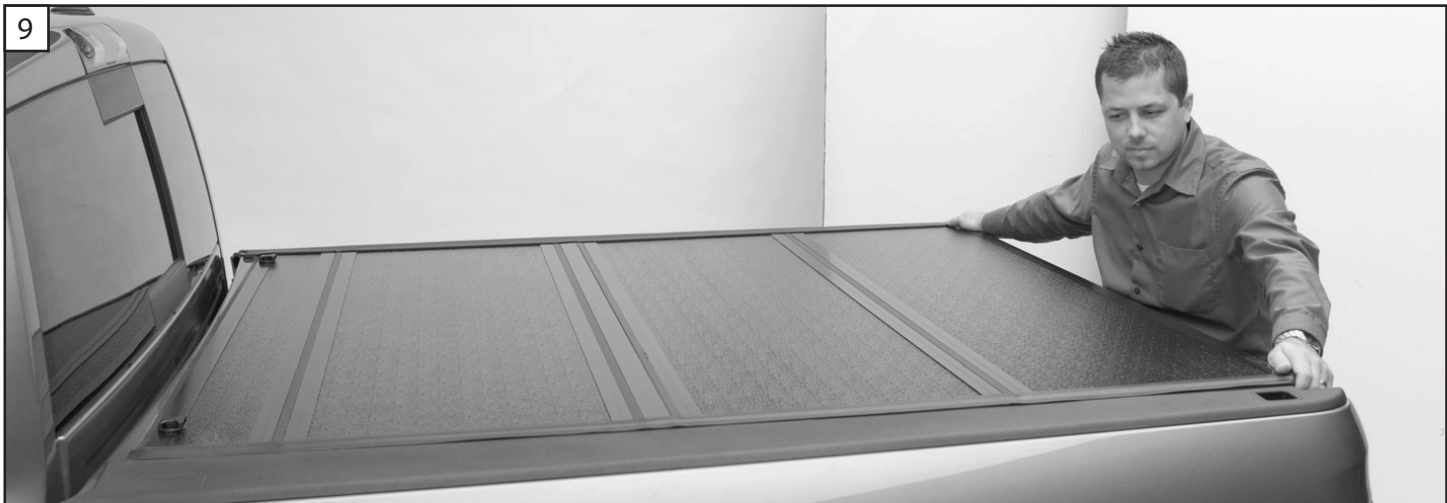


7. Place the tonneau onto the mounting rails with the smallest panel towards the cab of the truck and with the front flap covering the bulkhead.





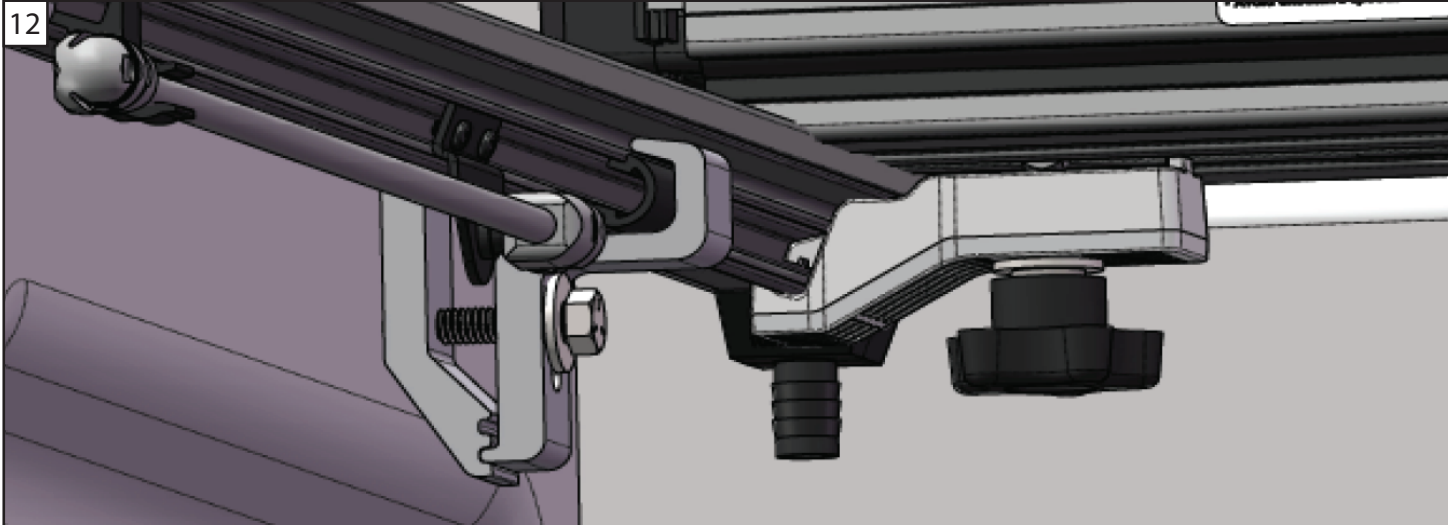
8. Carefully unfold the cover. Position the cover so it is centered side to side and front to back on the truck bed.



9. Test the rear latching assembly for smooth operation as this is the best indicator of the cover being positioned correctly. Be sure the latches on both sides are engaging with the cover mounting rail.



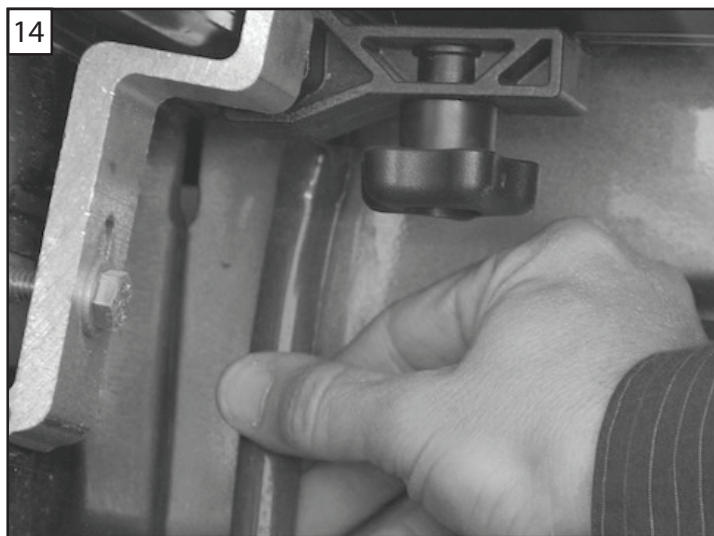
10 & 11. Once the cover is located correctly, fold the cover to the open position. Pull the release cables on the rear panel to release it from the side rail. Take care to fold it gently so the position of the cover is not disturbed.



12. Once in the open position place the front pre-staked cover retainer assemblies, (retainer clamp, flat washer, lock washer, star knob and front mounting bolt), underneath the cover and so that the retainer clamp engages into the mounting rail and hand tighten. Be sure the front retainer clamp is clamping to the side rail correctly. Test the cover again for proper operation, adjust as needed, then tighten the star knobs.



13. Attach the prop rod to the side rail.



14. Attach the drain tubes to the fittings at the front of the bed rail and position the tubes to divert water out of the truck bed. This can be done by placing the tube behind a bed liner, through an existing hole in the bed, or by drilling a 5/8" hole in the bulkhead or bed floor.

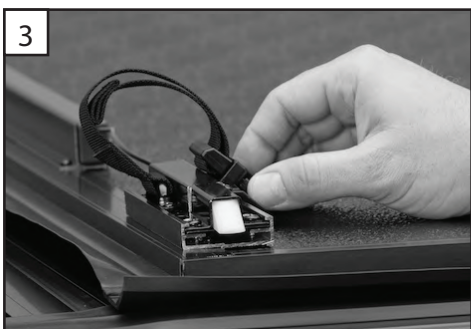
Note: If you choose to place the tube behind your bed liner, be sure your drain holes in the bed are not clogged.

Note: If you choose to drill holes, check to make sure the area is free and clear of any obstructions below/ behind the bed. Be sure to clean up metal shavings.

OPERATION INSTRUCTIONS



1 & 2. To open the cover: Lower the tailgate and pull the cable. While pulling on the cable lift the panel up and towards the cab, repeat for the next panel.

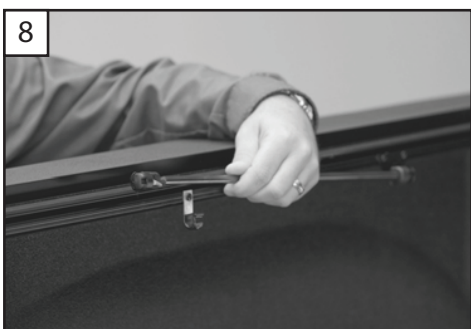


3, 4 & 5. If this is as far as you would like to open the cover, you can secure it in this position. Release the strap from the stowed position by squeezing the tabs. Attach the buckle at the bulkhead, pull the strap to take up the slack and secure the cover. Repeat this for the opposite side.



Warning! Do not lean the cover against cab or damage to the truck and/or cover can occur.

6 & 7. Pull the cable on the third panel and fold the cover up towards the cab.



8 & 9. Snap the prop to the mount on the cover, repeat for the other side. To close simply reverse this process.

PRODUCT CARE

- Clean with soap and water only.
- Cover must be secured when vehicle is in motion. See instructions for recommended driving positions. An unsecured cover can result in damage not covered by this warranty.

WARRANTY COVERAGE

Keystone Automotive Operations Inc. (KAO) warrants this product to be free of defects in material and workmanship at the time of purchase by the original retail consumer. KAO disclaims any other warranties, express or implied, including the warranty of fitness for a particular purpose or an intended use. If the product is found to be defective, KAO may replace or repair the product at our option, when the product is returned prepaid, with proof of purchase. Alteration to, improper installation, or misuse of this product voids the warranty. KAO's liability is limited to repair or replacement of products found to be defective, and specifically excludes liability for any incidental or consequential loss or damage. The repaired or replaced tonneau will be in warranty for the remainder of the original warranty period.

FAQ:

1. How difficult is it to install the tonneau cover?

Installing of tonneau cover is easy, please follow the steps in installation manual carefully.

2. How do I clean my tonneau cover?

Wash the tonneau same as your truck. We recommend using soap and water.

3. Will the tonneau cover scratch my paint?

No. Please follow the installation instruction manual carefully to avoid scratching paint.

4. Missing or Excess Hardware?

Re-check hardware count as per the part list.

5. Why is my tonneau cover not installing properly?

Ensure year, make, model, cab length and bed size of your vehicle is listed in the application and installation steps are followed correctly.

CHECK OUT THESE OTHER TRAIL FX PRODUCTS!



SIDE BARS



ROCKER GUARD



BED RAILS



RUNNING BOARDS